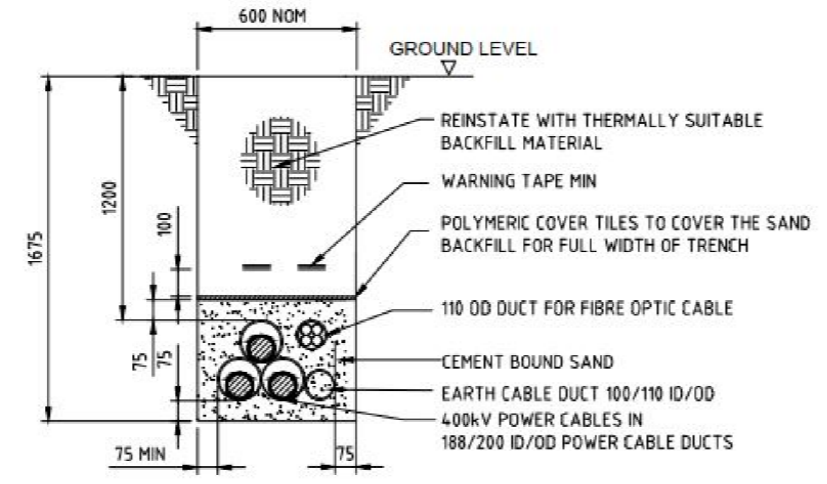
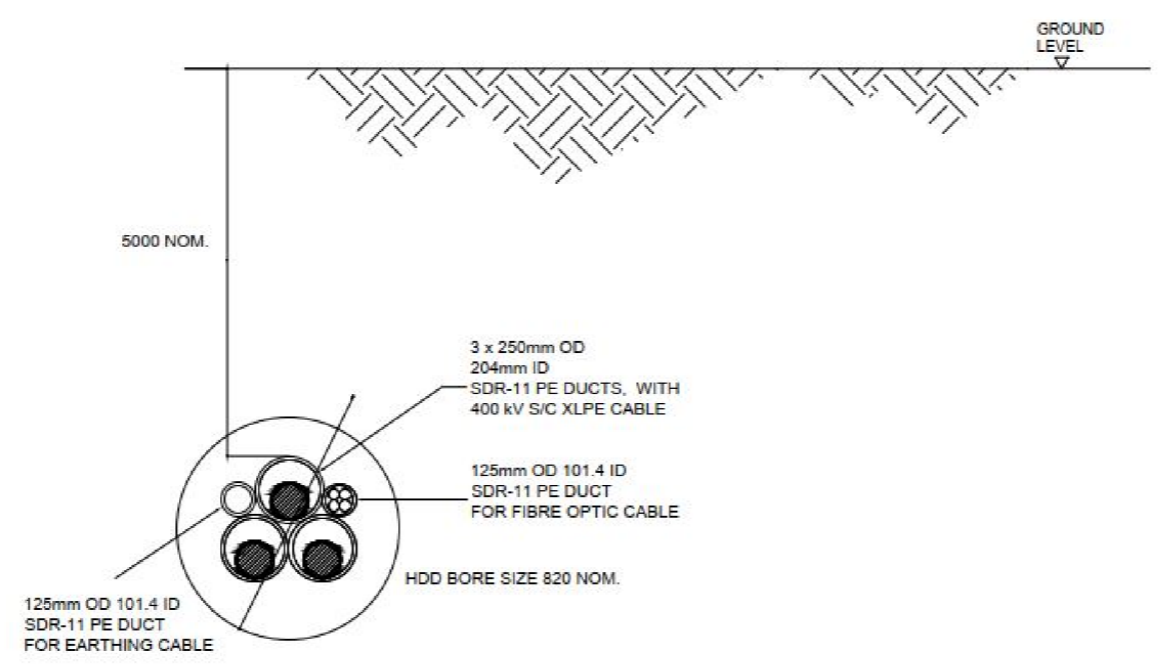


Appendix J ES Figures

J.8 **Figure 3-31: Cable Route Cross Sections – 400 kV solution (illustrative)**



GENERAL INSTALLATION



HDD INSTALLATION

NOTE:
Document Reference: EN010106/APP/6.3
APFP Regulation: 5(2)(a)

Purpose of Issue
FOR DCO SUBMISSION

Client
SUNNICA LTD



Drawing Title
FIGURE 3-31
CABLE ROUTE CROSS SECTIONS - 400KV SOLUTION (ILLUSTRATIVE)

Drawn LL	Checked DW	Approved NC	Date 04/07/2022
AECOM Internal Project No. 60589004		Scale @ A3 NOT TO SCALE	

THIS DOCUMENT HAS BEEN PREPARED PURSUANT TO AND SUBJECT TO THE TERMS OF AECOM'S APPOINTMENT BY ITS CLIENT. AECOM ACCEPTS NO LIABILITY FOR ANY USE OF THIS DOCUMENT OTHER THAN BY ITS ORIGINAL CLIENT OR FOLLOWING AECOM'S EXPRESS AGREEMENT TO SUCH USE, AND ONLY FOR THE PURPOSES FOR WHICH IT WAS PREPARED AND PROVIDED.

AECOM
Unit 1 Wellbrook Court,
Gilton,
Cambridge, CB3 0NA
United Kingdom
Telephone (01223) 488000
www.aecom.com



Drawing Number 60589004_ES_SD_031	Rev 0
--------------------------------------	----------